



1/2

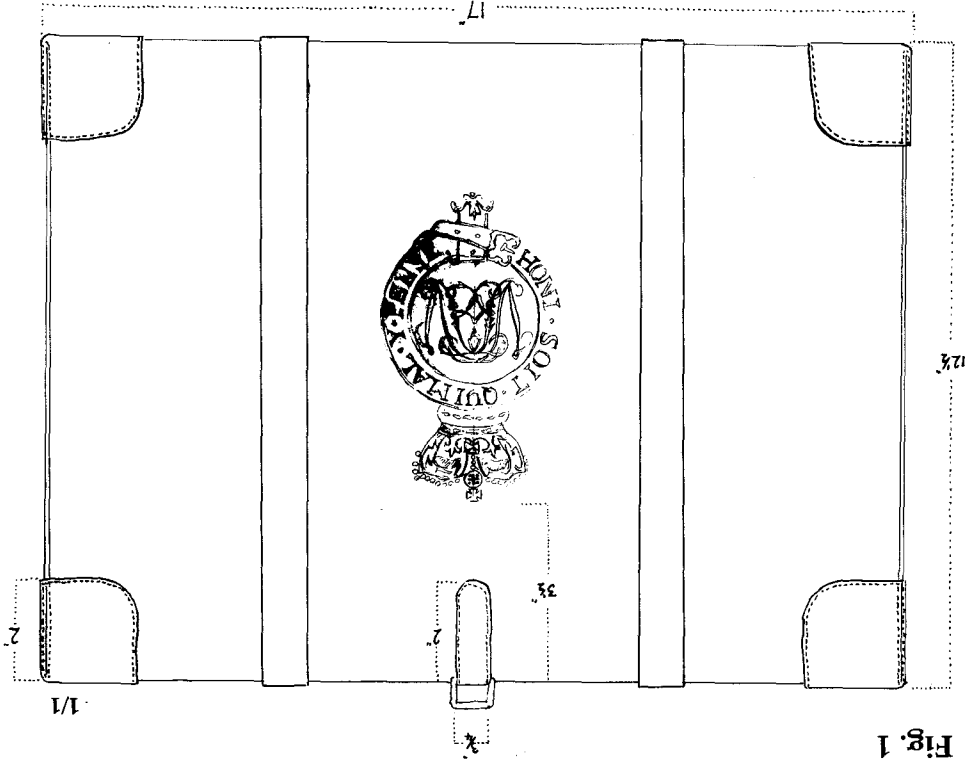


Fig. 1

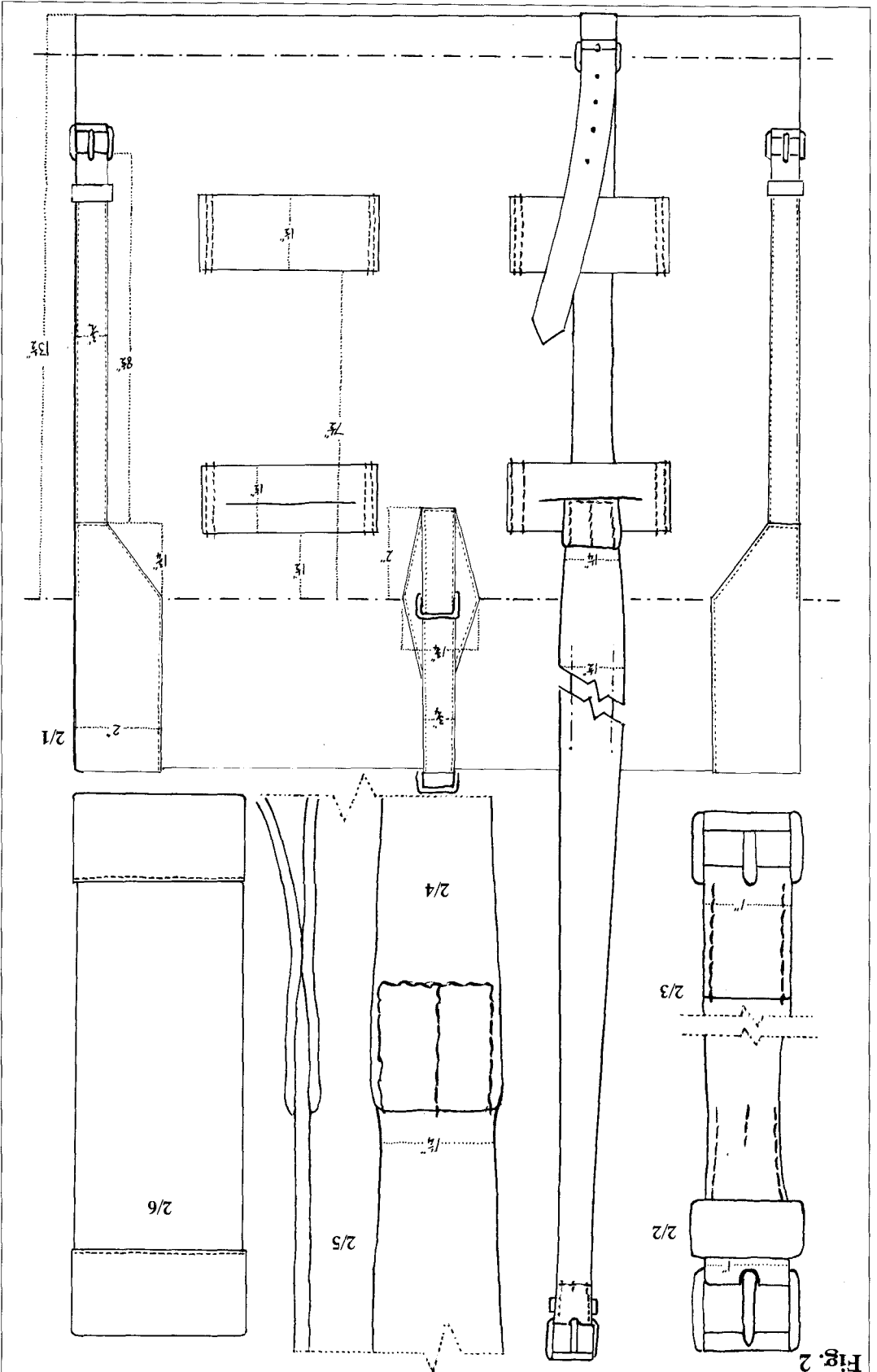
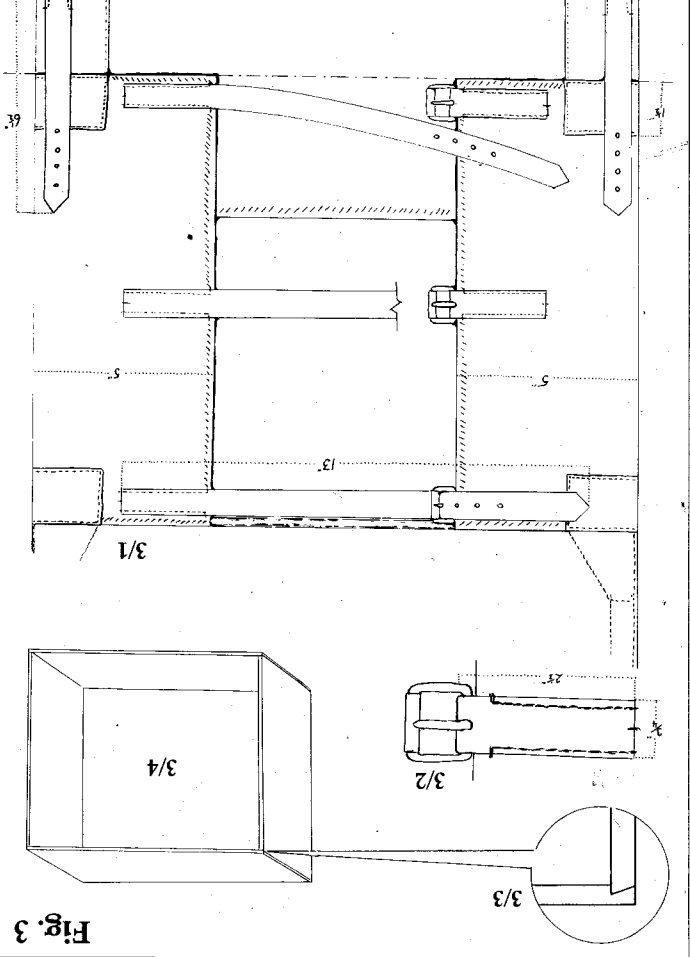
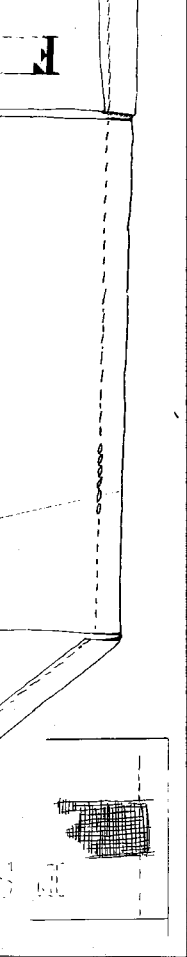
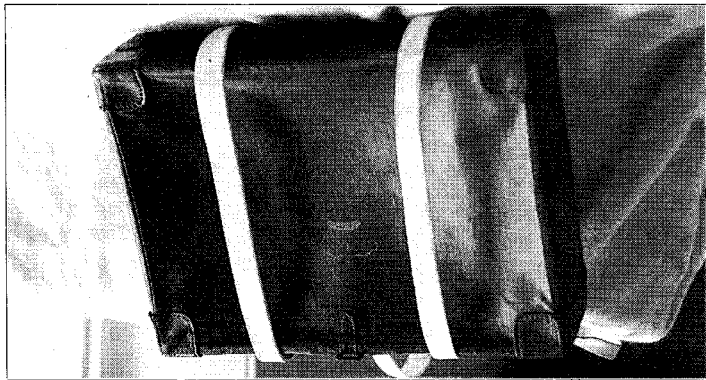
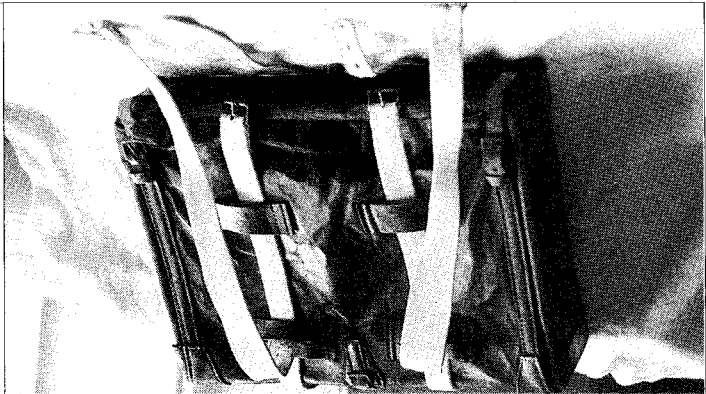


Fig. 2





*Exterior views of the knapsack.*